



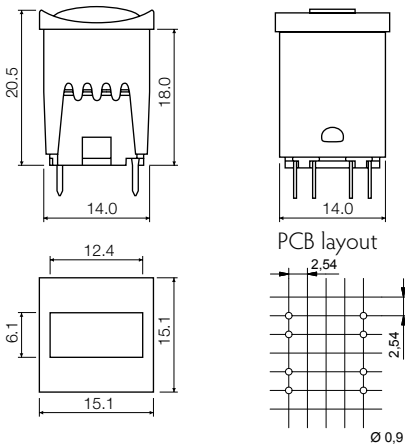
- Square solution
- 15.1mm x 15.1mm
- h=20.5 mm
- Material: ABS
- Temp. Range: -40/+65°C

All dimensions in mm

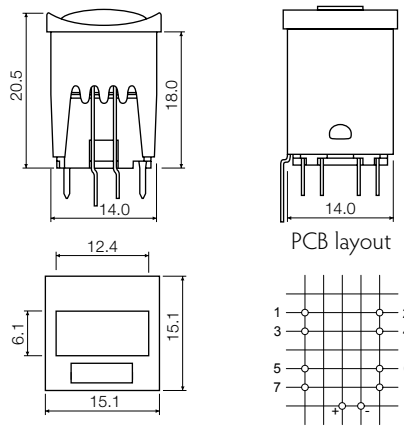
Tolerances +/-0.2mm

## DIMENSIONS

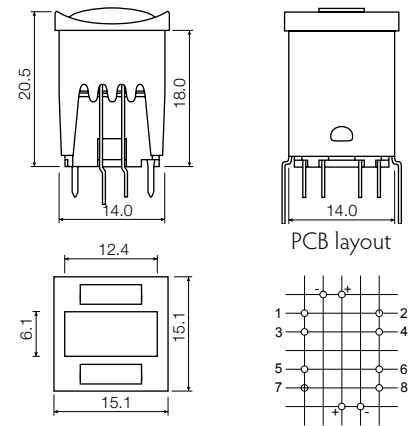
(TH) + 16324






(TH w/LED) + 16325



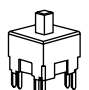



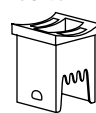


(TH 2 w/LED) + 16326



## NON-ILLUMINATED - HOW TO ORDER

Switch	+	Extender	+	Cap	+	Bezel
<b>1 5 4</b>		<b>1 6 2 7 0</b>		<b>1 6 3 0 0</b>		<b>1 6 3 2 4</b>
15401 mom. silver				00 blue		03 grey
15402 mom. gold				02 green		09 black
15420 silent gold				03 grey		
15451 lat. silver				04 yellow		
15452 lat. gold				06 white		
				08 red		
				09 black		

## ILLUMINATED - HOW TO ORDER

Switch	+	Extender	+	Cap	+	Bezel	+	Lens	+	LED
<b>1 5 4</b>		<b>1 6 2 7 0</b>		<b>1 6 3 0 0</b>				<b>1 6 3 2 7</b>		<b>1 6 9 2 2</b>
						<b>16325</b>		02 green		02 green
								04 yellow		04 yellow
						<b>16326</b>		08 red		08 red
								Lens <b>16327</b>		LED <b>16922</b>
								2 required		2 required
										

Ordering example: 15451+16270+1630004+1632403 (non-illuminated) OR 15401+16270+1630008+1632509+1632708+1692208 (illuminated)  
Please see colour codes, updates of products and changes of specifications on [www.mec.dk](http://www.mec.dk)